

Data Sheet

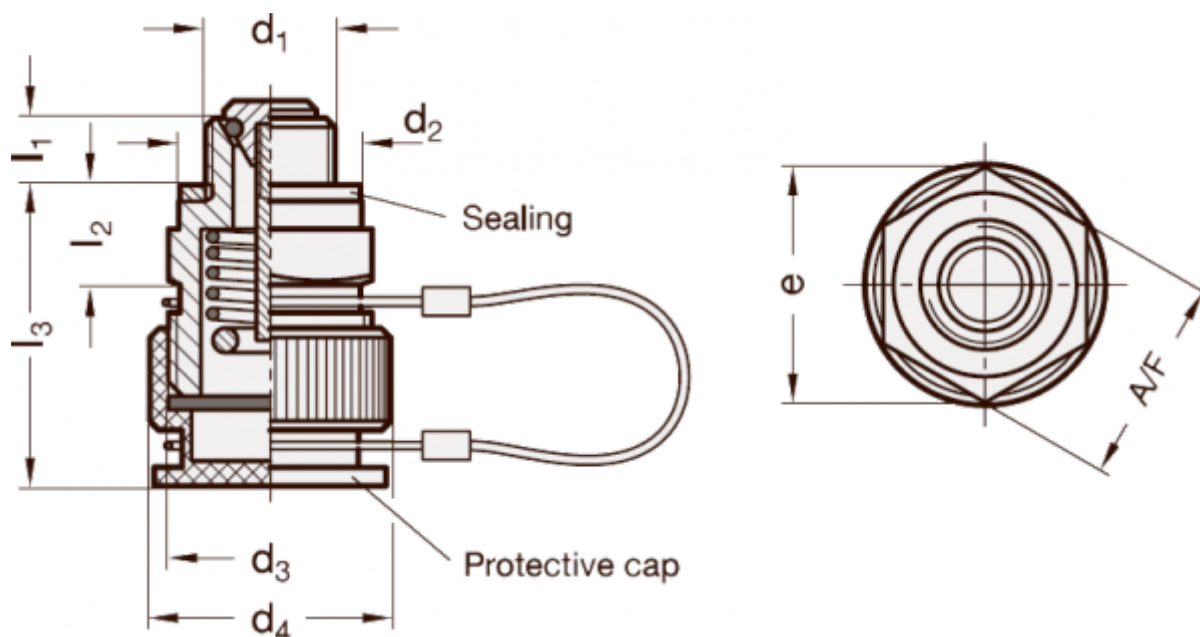


Article number: 20880M2215STK

Description: E+G

Oil drain valve GN 880-M22x1.5-ST-K

Measures



A/F	= 27
d2	= 27
d4	= 30
e	= 31.2
L1	= 8.5
L2	= 12
L3	= 32
Thread d1	= M22x1.5

Thread d3 = M26x1.5